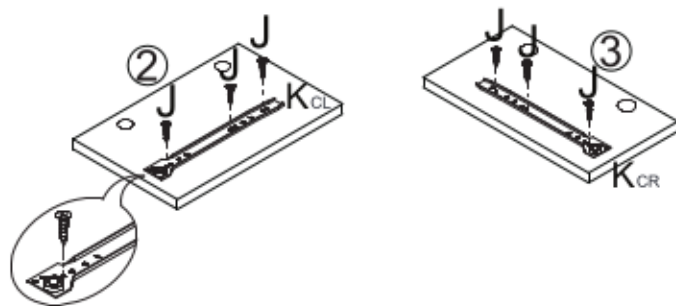


A		X40
B		X40
C		X40
D		X20
E		X1
F		X2
G		X3
H		X10
I		X21

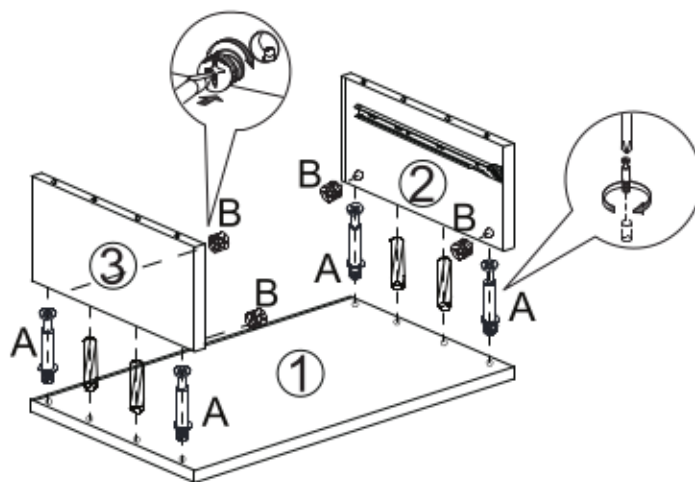
J		X61
K	 <small>CL BL DR CR</small>	X5
L		X8
M		X12
N		X1
O		X1
P		X4
Q		X2

1

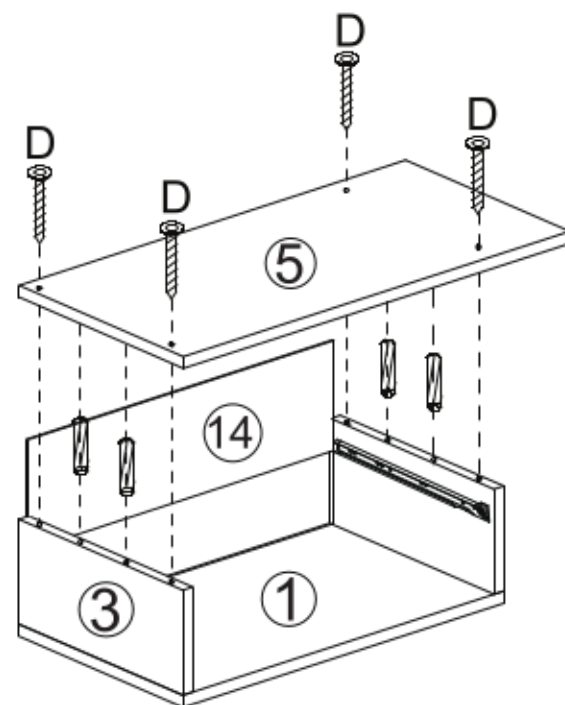


X5

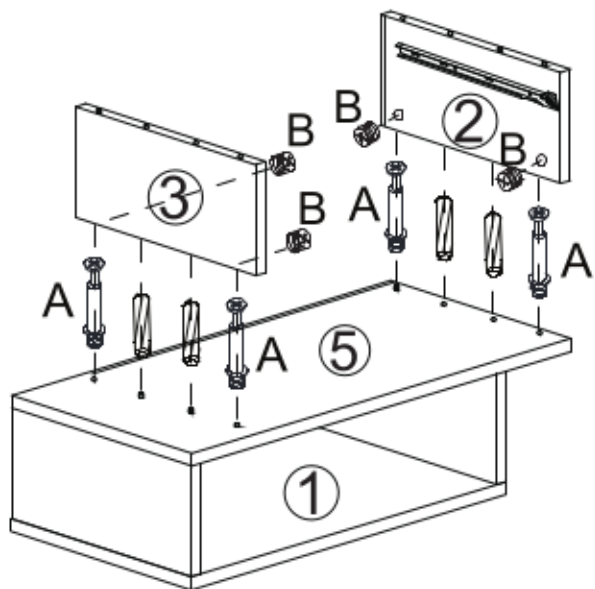
2



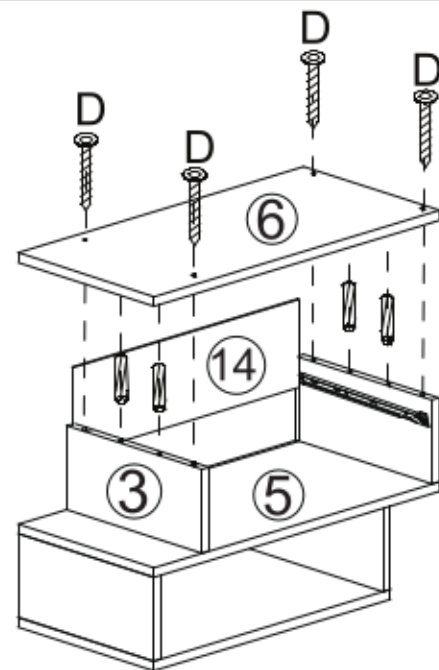
3



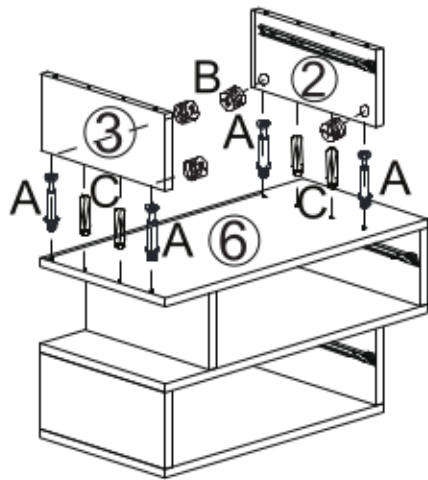
4



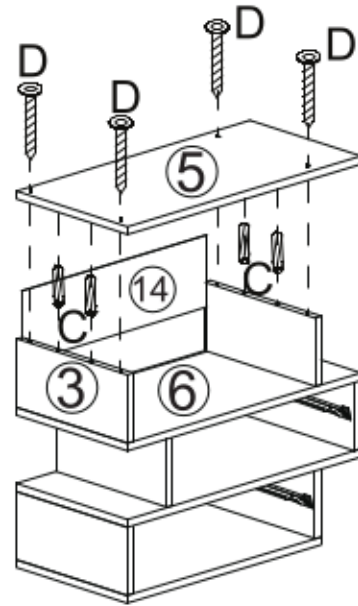
5



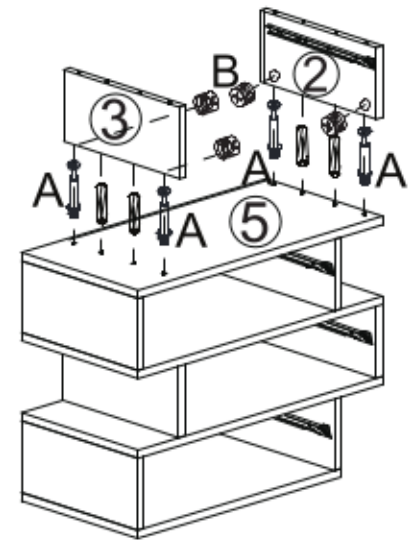
6



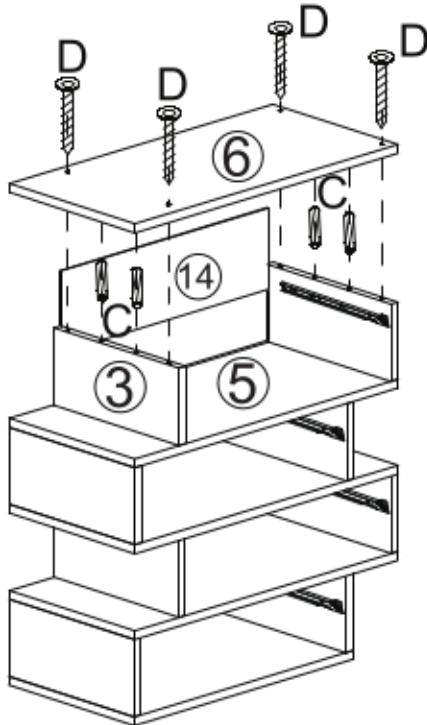
7



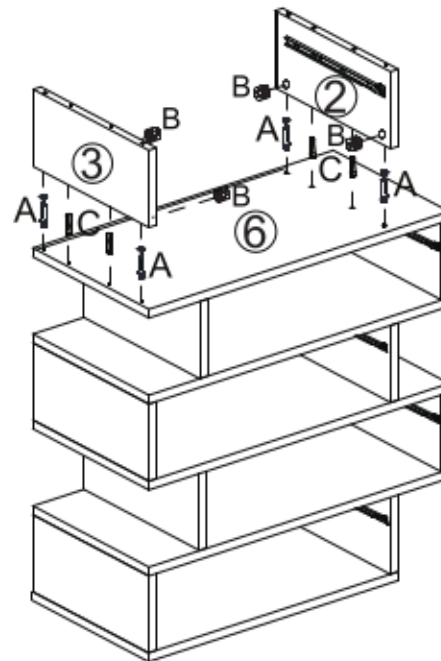
8



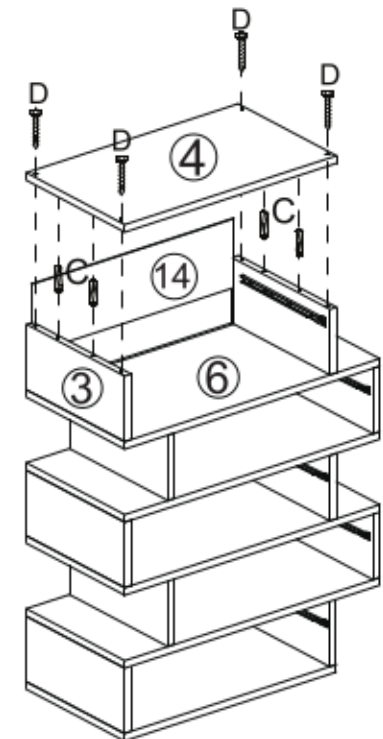
9



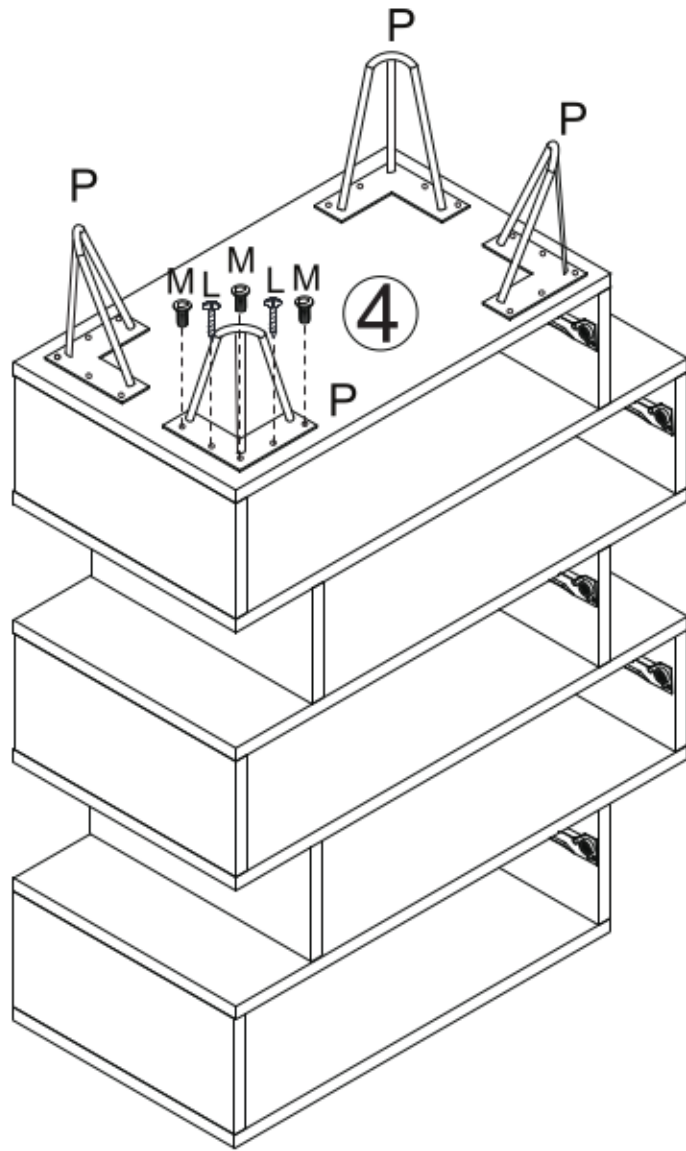
10



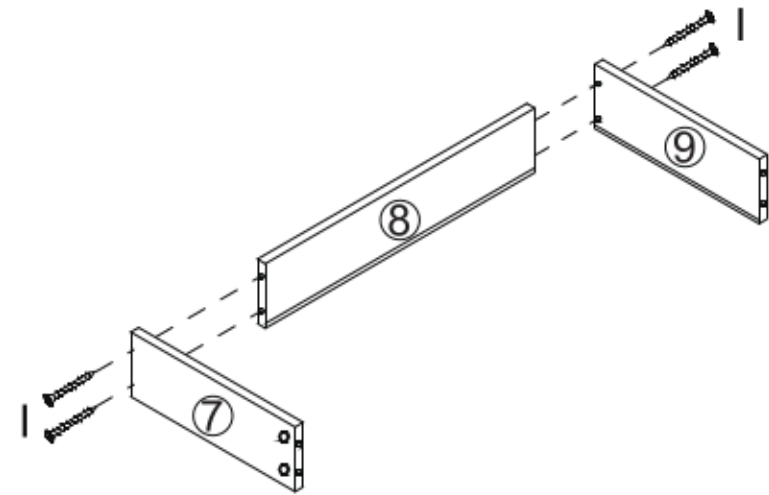
11



12

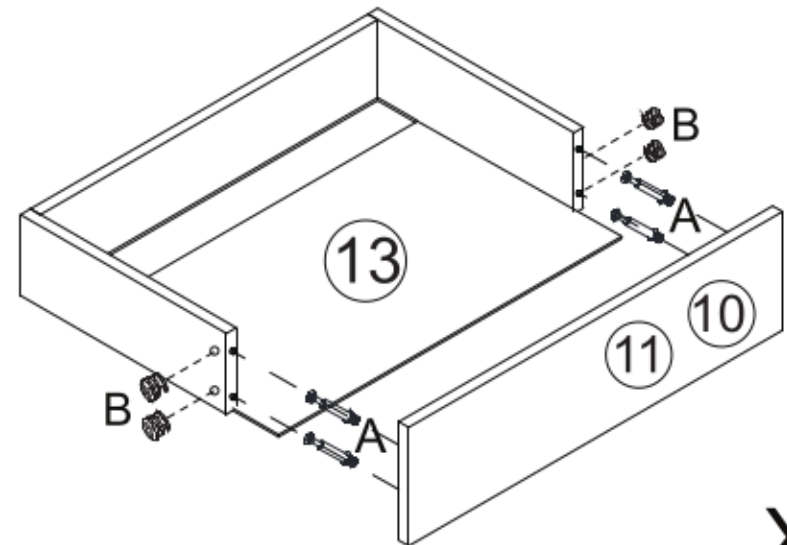


13



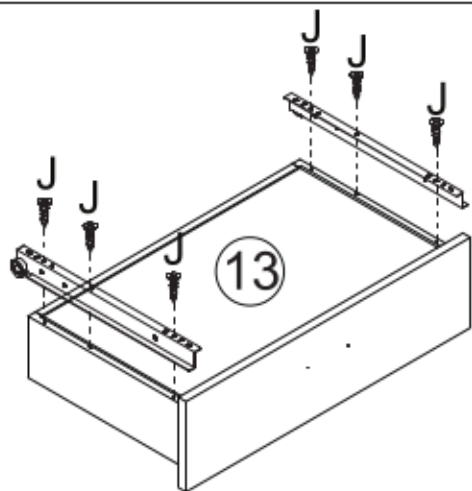
X5

14



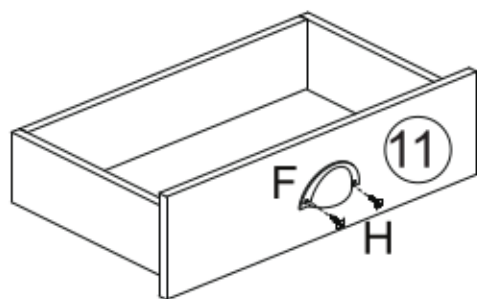
X5

15



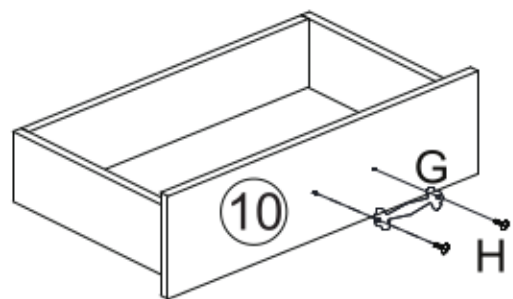
X5

16



X2

17



X3

19

